

BP-MF401 Datasheet

MEDIUM-FLOW BACK PRESSURE REGULATOR



● Gas ● Liquid | ● Diaphragm ● Piston | Max Rating: 400 bar (5,800 psi) | Max Inlet Control: 260 bar (3,770 psi) | Cv 3.0



INTRODUCING THE BP-MF401...

The BP-MF401 is a piston-sensed medium-flow back pressure regulator for gas or liquid applications with a **balanced main valve** design. The liquid version includes a PEEK™ seat, whilst the gas version features PCTFE seating.

This accurate regulator controls inlet pressure and vents excess pressure back via the threaded NPT or BSP outlet port of up to 1" diameter.

SPECIFICATION

Max. Rating	400 bar (5,800 psi)
Max. Inlet Control	Up to 260 bar (3,770 psi)
Design Proof Pressure	150% max. working pressure
Seat Leakage	In accordance with ANSI/FCI 70-3
Weight	5.5kg (12.1lbs)

STANDARD MATERIALS OF CONSTRUCTION

PART	MATERIALS
Body and Bonnet	ASTM A479 316/316L Stainless Steel (UNS S31600/S31603)
Main Valve Pin	ASTM A479 316/316L Stainless Steel
Soft Seat	PEEK™ PCTFE
Valve Spring	ASTM A240 301 Stainless Steel (UNS S30100)
Handwheel	Nylon
Piston	ASTM A479 316/316L Stainless Steel
O-Rings	NBR N70 (Nitrile Buna N) FKM/FPM (Viton) EPDM (Ethalyne) FFKM (Kalrez)
Loading Spring	Alloy Spring Steel

Note: Pressure regulator rating may be limited by connection type, Cv and/or seat material. Contact the office for specific pressure or temperature requirements.

FEATURES AND BENEFITS

1 PRECISION MACHINED SENSING ELEMENT

For accurate pressure control.

2 EASY ACCESS TO SEAT CARTRIDGE

Simplified servicing through base of regulator.

3 FLANGE-TYPE BONNET

Quick and easy access for maintenance.

4 BALANCED MAIN VALVE DESIGN

Improved control across the pressure range.

Product availability and specifications contained herein are subject to change without notice. Consult local distributor or factory for potential revisions and/or service related issues. Pressure Tech Ltd support with product selection recommendations only - it is the users responsibility to ensure the product is suitable for their specific application requirements.



PRESSURE TECH LTD

Unit 24, Graphite Way, Hadfield, Glossop, Derbyshire, UK, SK13 1QH

+44 (0)1457 899 307 | sales@pressure-tech.com | www.pressure-tech.com

DESIGNED, MANUFACTURED AND BUILT IN THE UK

© 2025 Pressure Tech Ltd. All Rights Reserved.

130625

PAGE:
1 OF 4

BP-MF401 Datasheet

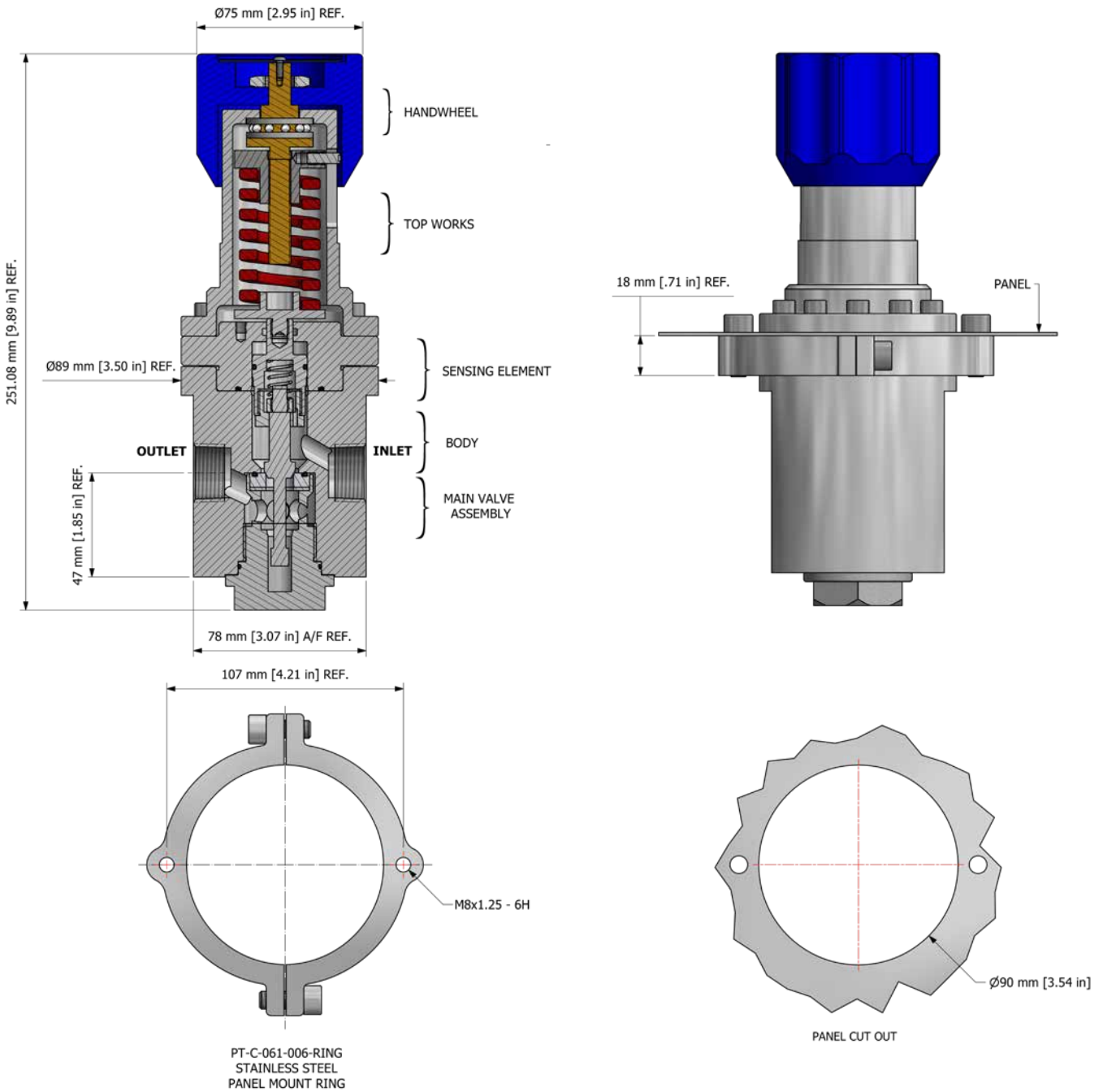
MEDIUM-FLOW BACK PRESSURE REGULATOR



● Gas ● Liquid | ● Diaphragm ● Piston | Max Rating: 400 bar (5,800 psi) | Max Inlet Control: 260 bar (3,770 psi) | Cv 3.0

DRAWINGS AND INSTALLATION DIMENSIONS

Dimensions shown for standard configurations only - please contact the office for other options.



Note:
All gauge ports are 1/4" NPT as standard.

Product availability and specifications contained herein are subject to change without notice. Consult local distributor or factory for potential revisions and/or service related issues. Pressure Tech Ltd support with product selection recommendations only - it is the users responsibility to ensure the product is suitable for their specific application requirements.



PRESSURE TECH LTD
 Unit 24, Graphite Way, Hadfield, Glossop, Derbyshire, UK, SK13 1QH
 +44 (0)1457 899 307 | sales@pressure-tech.com | www.pressure-tech.com
DESIGNED, MANUFACTURED AND BUILT IN THE UK
 © 2025 Pressure Tech Ltd. All Rights Reserved.

BP-MF401 Datasheet

MEDIUM-FLOW BACK PRESSURE REGULATOR

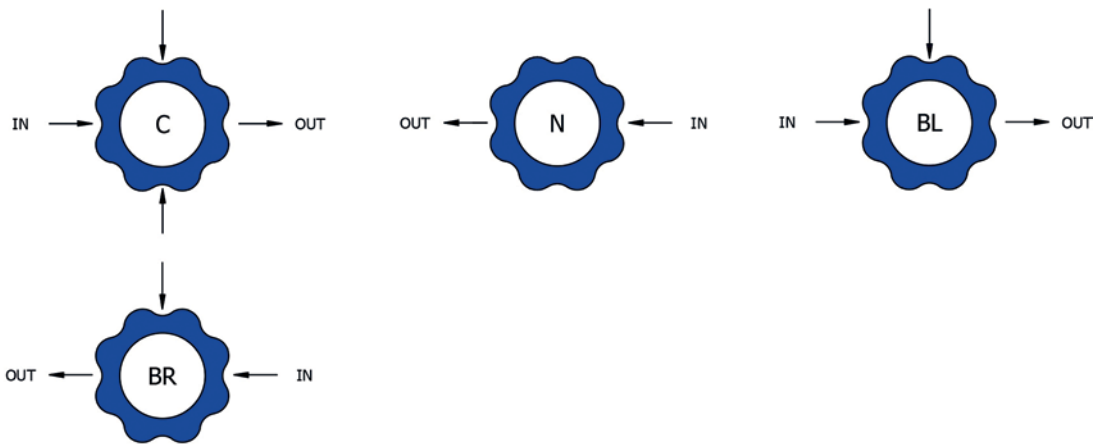


● Gas ● Liquid | ● Diaphragm ● Piston | Max Rating: 400 bar (5,800 psi) | Max Inlet Control: 260 bar (3,770 psi) | Cv 3.0

FLOW CURVE

Please contact the office for further information.

PORTING CONFIGURATIONS



Note:

Additional porting configurations are available - please contact the office for further information.

Product availability and specifications contained herein are subject to change without notice. Consult local distributor or factory for potential revisions and/or service related issues. Pressure Tech Ltd support with product selection recommendations only - it is the users responsibility to ensure the product is suitable for their specific application requirements.



PRESSURE TECH LTD

Unit 24, Graphite Way, Hadfield, Glossop, Derbyshire, UK, SK13 1QH
+44 (0)1457 899 307 | sales@pressure-tech.com | www.pressure-tech.com

DESIGNED, MANUFACTURED AND BUILT IN THE UK

© 2025 Pressure Tech Ltd. All Rights Reserved.

BP-MF401 Datasheet

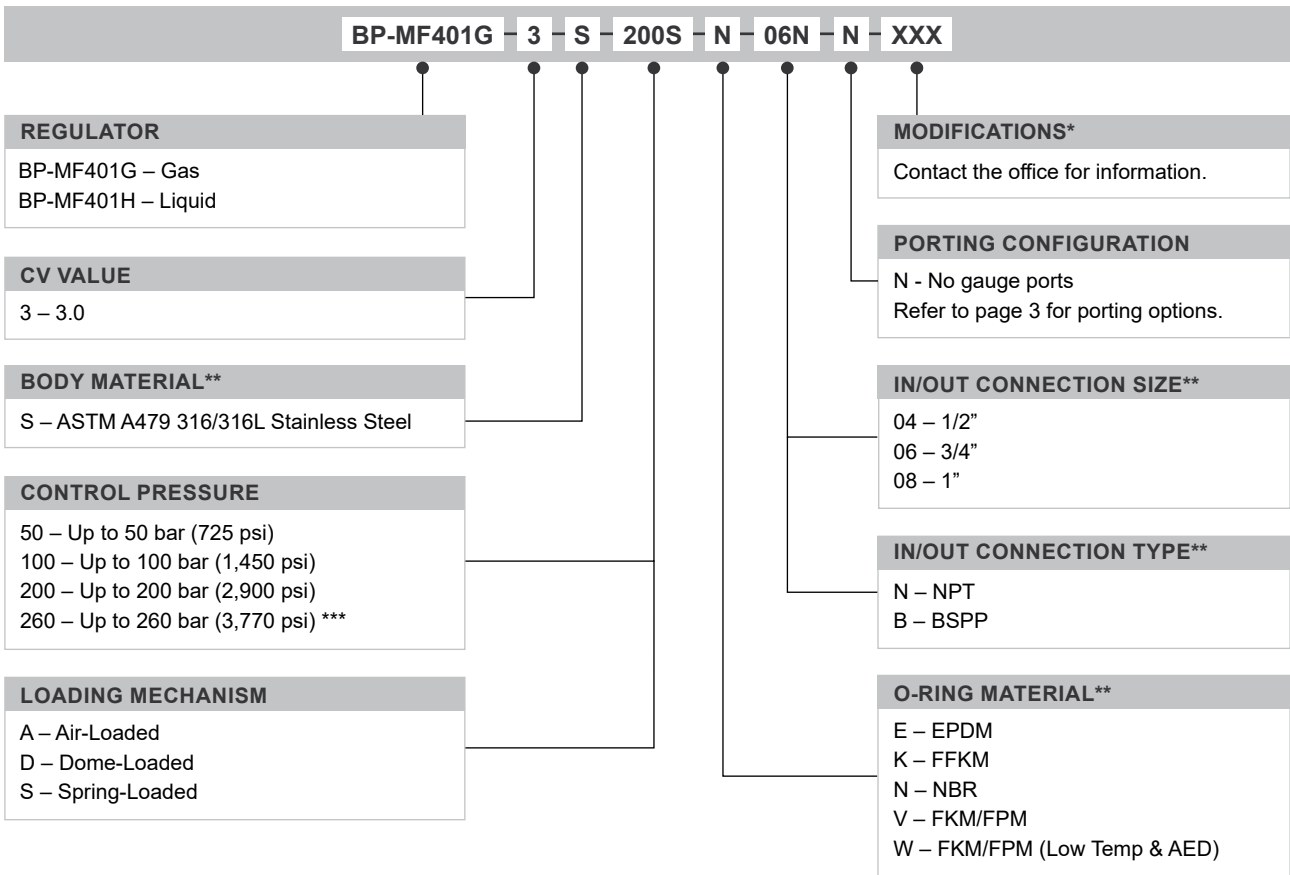
MEDIUM-FLOW BACK PRESSURE REGULATOR



Gas
 Liquid
 |
 Diaphragm
 Piston
 |
 Max Rating: 400 bar (5,800 psi)
 |
 Max Inlet Control: 260 bar (3,770 psi)
 |
 Cv 3.0

ORDERING INFORMATION

To build a Pressure Tech part number, simply combine the characters identified below in sequence:



OPTIONAL EXTRAS		
	PART NUMBER	DESCRIPTION
Service Kit	SRK-BP-MF401...	Various options available
Panel Mounting Ring	PT-C-061-006-RING	Stainless Steel panel mount ring

Note: Ancillary equipment also available

TRADEMARK: PEEK™ is a trademark of Victrex PLC

* Where applicable
 ** Other materials/connections may be available
 ***Air-loaded required for 260 bar control pressure

Product availability and specifications contained herein are subject to change without notice. Consult local distributor or factory for potential revisions and/or service related issues. Pressure Tech Ltd support with product selection recommendations only - it is the users responsibility to ensure the product is suitable for their specific application requirements.



PRESSURE TECH LTD
 Unit 24, Graphite Way, Hadfield, Glossop, Derbyshire, UK, SK13 1QH
 +44 (0)1457 899 307 | sales@pressure-tech.com | www.pressure-tech.com
DESIGNED, MANUFACTURED AND BUILT IN THE UK
 © 2025 Pressure Tech Ltd. All Rights Reserved.

130625